



TEAC

SERVICE MANUAL

**SOLID STATE
20" COLOUR TELEVISION
RECEIVER**

MODEL: CT-M483

MODEL: CT-M511S, 515S, 483, 484, 485
PROBLEM: FLAGWAVING WITH MACROVISION ENCODED TAPE.

Instructions:

Replace C137 with 680pF ceramic capacitor.

In some televisions you may require a 470pF ceramic capacitor.

Regards,

Fabian Lubanovic
TEAC Australia Pty Ltd.

SPECIFICATION

SYSTEM

: PAL- B/G (FOR AUSTRALIA)

---- TV SECTION ----

CHANNEL COVERAGE	VHF LOW	:	0-5	CH.
	VHF HIGH	:	5A-11	CH.
	UHF	:	21-65	CH.
FREQUENCY RANGE	VHF LOW	:	45-108	MHZ
	VHF HIGH	:	137-230	MHZ
	UHF	:	470-830	MHZ
VISION/SOUND SEPARATION		:	5.5	MHZ
FREQUENCY VIDEO IF		:	38.9	MHZ
	SOUND IF	:	33.4	MHZ
SENSITIVITY	VHF LOW	:	47	dBuV
(AT 30dB S/N)	VHF HIGH	:	47	dBuV
	UHF	:	50	dBuV
SCANNING LINES		:	625	lines
	HORIZONTAL	:	15625	Hz
	VERTICAL	:	50	Hz
OUTPUT POWER MAXIMUM		:	1800 mW	
	10% THD	:	1300 mW	
C R T .		:	20" DIAGONAL, 90 DEGREES DEFLECTION ANGLE	
SPEAKER		:	4" 8OHM 3W x 2	
ANTENNA EXTERNAL		:	75	OHM
POWER CONSUMPTION		:		

VIF ALIGNMENT

A. Preparation Step (See Fig. 1)

- (i) Connect AGC bias voltage to TP101; the DC supply should be turned off this time.
- (ii) Connect 14V B+ bias voltage to D403 (-) and Ground.
- (iii) Connect sweep generator to tuner test point and Ground.
- (iv) Connect waveform detector to TP102 and Ground.

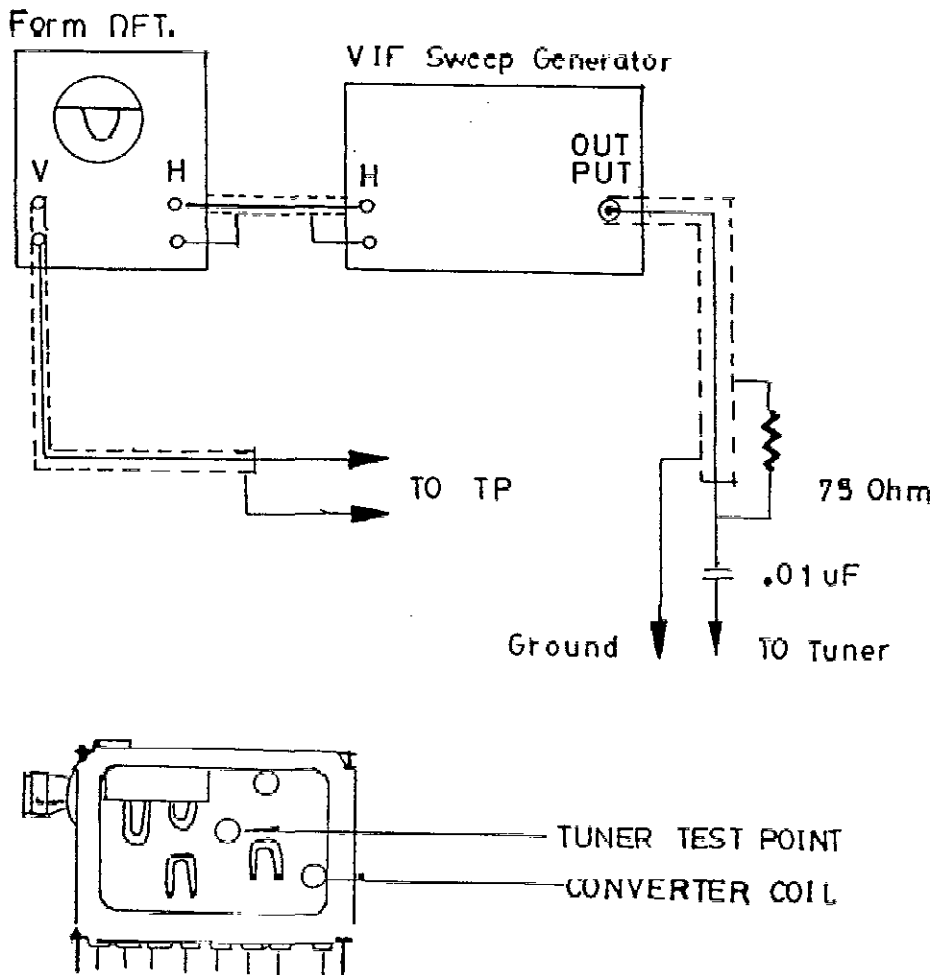


Fig.1

D. Tank Coil Alignment Step (See Fig. 2)

- (i) Calibrate the Division of waveform Detector equal to 100 mV per div.
- (ii) The output of sweep generator should be -50dB.
- (iii) Connect TP108 to Ground.
- (iv) Adjust AGC bias until the output waveform equal to 1V p.p. (10 div.)

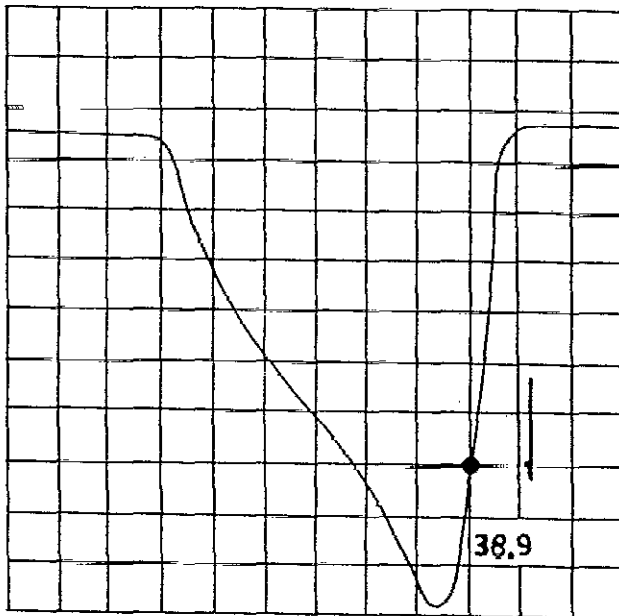


Fig. 2

- (v) Turn T102 until the marker 38.9MHz falls to the lowest point as Fig.2.

C. VIF Alignment

- (i) Connect 100 ohm resistor between TP105 and TP106.
- (ii) Adjust T103 until obtain the maximum waveform amplitude. (If Provided.)
- (iii) Adjust AGC bias, and maintain the waveform achieve 1V pp.
- (iv) Adjust tuner convertor coil, and obtain the waveform as Fig.3

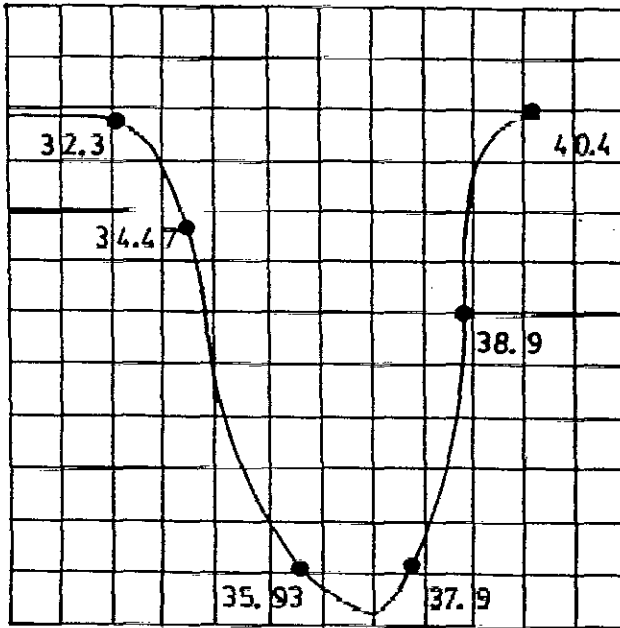
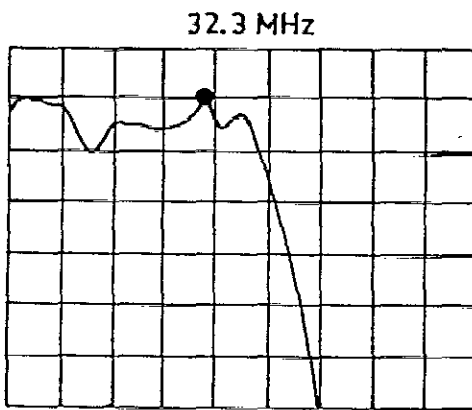


Fig.3

- (v) Increase the output level of sweep Converter.
- (vi) Turn T101 to obtain waveform as follow:



D. AFC Alignment

- (i) Remove the 100 ohm resistor from TP105 and TP106.
- (ii) Connect the waveform detector to TP104. The output of sweep generator should be -40dB.
- (iii) Adjust AGC bias to 5V.
- (iv) Adjust T101 to obtain waveform as Fig.4.

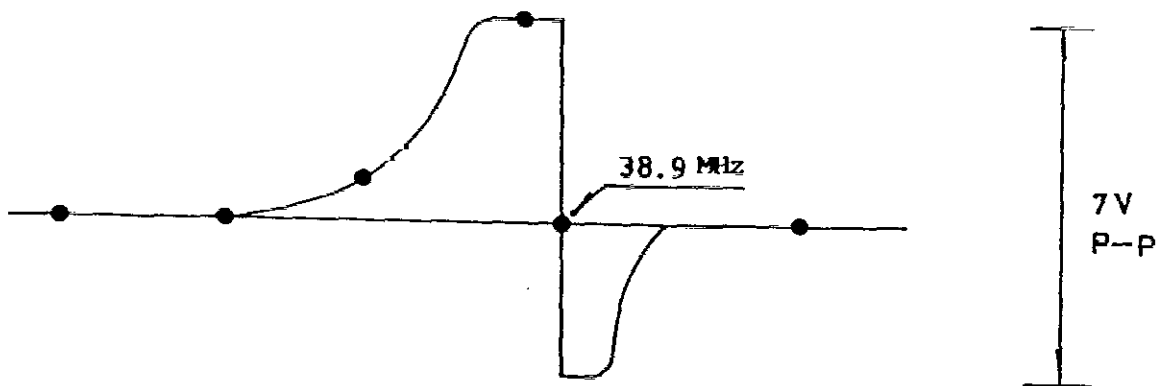


Fig.4

B. SIF Alignment

- (i) Connect the sweep generator to TP102.
- (ii) Connect waveform detect to TP111.
- (iii) The output of sweep generator should be -50dB .
- (iv) Adjust T104 to obtain the waveform as Fig.5.

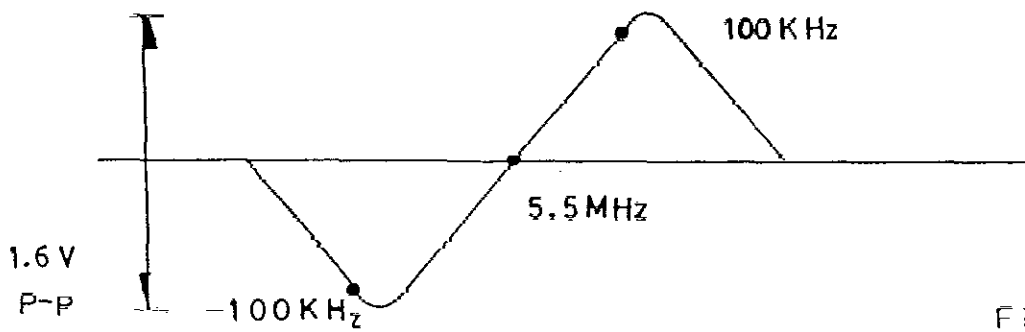


Fig.5

B+ ADJUSTMENT

- 1) Connect a digital volt meter to TPB+ and ground.
- 2) Set Brightness, contrast and colour to maximum.
- 3) Adjust VR901 and obtain a reading of 110V.

HORIZONTAL CIRCUIT ADJUSTMENT

- 1) Receive Monoscope Pattern input signal 80dBuV.
- 2) IC302 (PIN 28,29) short by 1K ohm resistor.
- 3) Adjust VR302 to obtain the picture running at center.
- 4) Adjust VR303 to obtain the picture at center.

VERTICAL CIRCUIT ADJUSTMENT

- 1) Receive the Monoscope Pattern.
- 2) Adjust V-size (VR401) to obtain a normal picture.

WHITE BALANCE ADJUSTMENT

1. Receive a black and white picture signal.
2. Turn the red and blue LOW-LIGHT (VR501,502,504) controls to middle position, and turn the DRIVE (VR503,505) controls to middle position.
3. Turn the SCREEN control on the FBI to minimum position.
4. Set the SUB-BRIGHTNESS (VR304) control to middle position, then set the CONTRAST control and COLOR control to minimum position.
5. Set the SERVICE switch (S301) to 'SERVICE' position.
6. Connect volt meter between (Q501 'C') and ground, and adjust BRIGHTNESS CONTROL TO THE READING OF DC140V. If DC 140V can not be obtain, adjust the SUB-BRIGHTNESS control (VR304).
7. Slowly turn ;the SCREEN control clockwise to the point where a horizontal line just illuminates.
8. Adjust VR501 to get a red horizontal line on CRT.
9. Adjust VR502 to get a yellow horizontal line on CRT.
10. Adjust VR504 to get a white horizontal line on CRT.
11. Reset the SERVICE switch (S301) to 'NORMAL' position and turn BRIGHTNESS control to middle position.
12. Adjust DRIVE (VR503,505) controls to obtain a uniform white picture.

SUB-BRIGHTNESS ALIGNMENT

1. Received Philips Pattern.
2. Set controls as follow:

BRIGHTNESS control	Min. Position
CONTRAST control	Min. Position
COLOR control	Min. Position
3. Adjust SUB-BRIGHTNESS control VR304 until picture just illuimates.

FOCUS ADJUSTMENT

1. Set CONTRAST control to maximum position and BRIGHTNESS control to middle position.
2. Adjust FOCUS control (on the FBI) to obtain a sharpest and clearest picture on the CRT.

RF AGC ALIGNMENT

1. Receive the signal of BAND-III (IHF) channel, and set the AFC switch to 'ON' position.
2. Set the input field strength in 62 ± 3 dB.
3. Adjust RF AGC (VR101) control to the point where noise is disappeared.

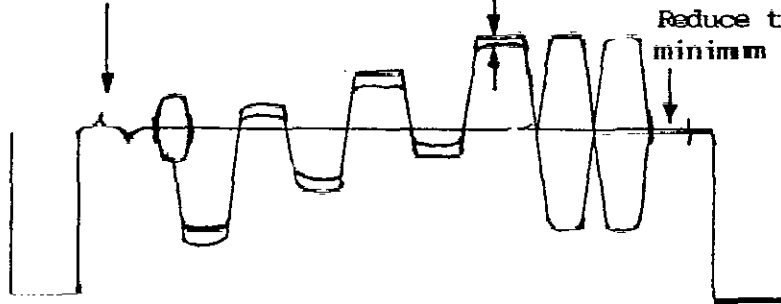
VIII. COLOR DEMODULATOR ALIGNMENT, DELAY LINE ALIGNMENT

1. Receive Philips Pattern.
2. Set COLOR control to maximum position.
3. Connect Oscilloscope to TP302
4. Adjust CT301 to obtain the waveform as in Fig.
5. Adjust VR306 to obtain the waveform as in Fig.
Adjust T301 to obtain the waveform as in Fig.

This Line make it straight
exactly (Adjust CT301)

Reduce the difference to
minimum (Adjust T301)

Reduce the difference to
minimum (Adjust VR306)



VOLTAGE TABLE FOR TRANSISTOR

SYMBOL	B (V)	C (V)	E (V)	SYMBOL	B (V)	C (V)	E (V)
Q001	0.21	0.64	0	Q602	0.01	5.47	0
Q002	0.64	0.54	0	Q603	0.77	0.01	0
Q003	0.65	0.12	0	Q604	6.12	14.08	5.47
Q004	0.1	8.9	0	Q605	10.57	11.24	11.36
Q101	0.53	2.78	0	Q606	11.34	0	11.36
Q102	1.09	8.1	0.34	Q607	11.34	0	11.36
Q104	0	3.15	0	Q608	3.69	0.3	5.29
Q105	2.54	11.6	1.89	Q609	0	3.67	0
Q108	5.86	11.92	5.2	Q610	0.47	4.53	0
Q201	15.34	16.16	14.89	Q611	0	5.47	0
Q301	0.05	1.96	0	Q612	0.71	0.18	0
Q302	0.05	0.72	0	Q613	0.06	3.22	0
Q303	0.72	0.03	0	Q701	0	2.9	0
Q304	0.03	11.93	0	Q702	0	2.3	0
Q401	-0.1	193.38	0	Q907	1.26	11.51	0.62
Q402	0.33	75.75	0	Q908	2.16	4.63	1.49
Q501	3.98	97.56	3.39	Q909	-2.35	296.9	0.1
Q502	3.71	90.55	3.14	Q910	-0.02	1.13	0
Q503	3.76	110.26	3.18	Q911	5.71	-0.02	1.61
Q504	2.13	90.19	2.05	Q912	9.11	13.61	8.45
Q601	5.47	0	5.48				

NOTE : VOLTAGE ARE TAKEN UNDER TUNED CONDITION WITH

- CONTRAST : Maximum Position
- BRIGHTNESS : Maximum Position
- COLOR : Maximum Position
- SIGNAL INPUT : Maximum Position
- CHANNEL SETTING : 80 dBuV
- SIGNAL PATTERN : Colour Bar

VOLTAGE TABLE FOR IC

SYMBOL PIN NO.	TC101	IC601	IC602	IC302	
	(V)	(V)	(V)		
1	2.63	5.28	GND	GND	
2	5.14	GND	NC	2.4	
3	GND	5.25	4.53	3.6	
4	6.68	NC	5.4	5.1	
5	4.68	NC	NC	2.5	
6	4.68	NC	NC	3.2	
7	4.68	NC	NC	7.1	
8	4.69	4.83	5.46	9.8	
9	0.66	-30	5.4	9.8	
10	3.94	NC	5.4	5.2	
11	2.62	0	5.4	3.1	
12	3.2	NC	5.4	4.45	
13	11.5	NC	5.4	3.1	
14	2.4	NC	5.2	0.01	
15	5.96	5.25	0.17	5.3	
16	11.5	0.07	5.4	5.3	
17	3.15		5.4	3.9	
18	7.55		5.2	2.5	
19	7.55		5.4	9.4	
20	3.15		0.06	9.4	
21	11.5		5.31	3.9	
22	2.54		0.06	3.4	
23	0.04		0.06	3.4	
24	2.63		0.06	3.87	
25			4.48	4.1	
26			0.08	9.4	
27			0.27	3.4	
28			0.27	8.2	
29			NC	11	
30			2.88	7.2	
31			3.8	0.9	
32			3.95	4.0	
33			8.63	1.34	
34			2.97	5.5	
35			2.84	4.6	
36			1.62	1.45	
37			11.4	0.92	
38			11.4	4.7	
39			0.16	4.7	
40			2.7	4.8	
41			2.6	2.1	
42			5.46	8.8	

NOTE : VOLTAGE ARE TAKEN UNDER TUNED CONDITION WITH

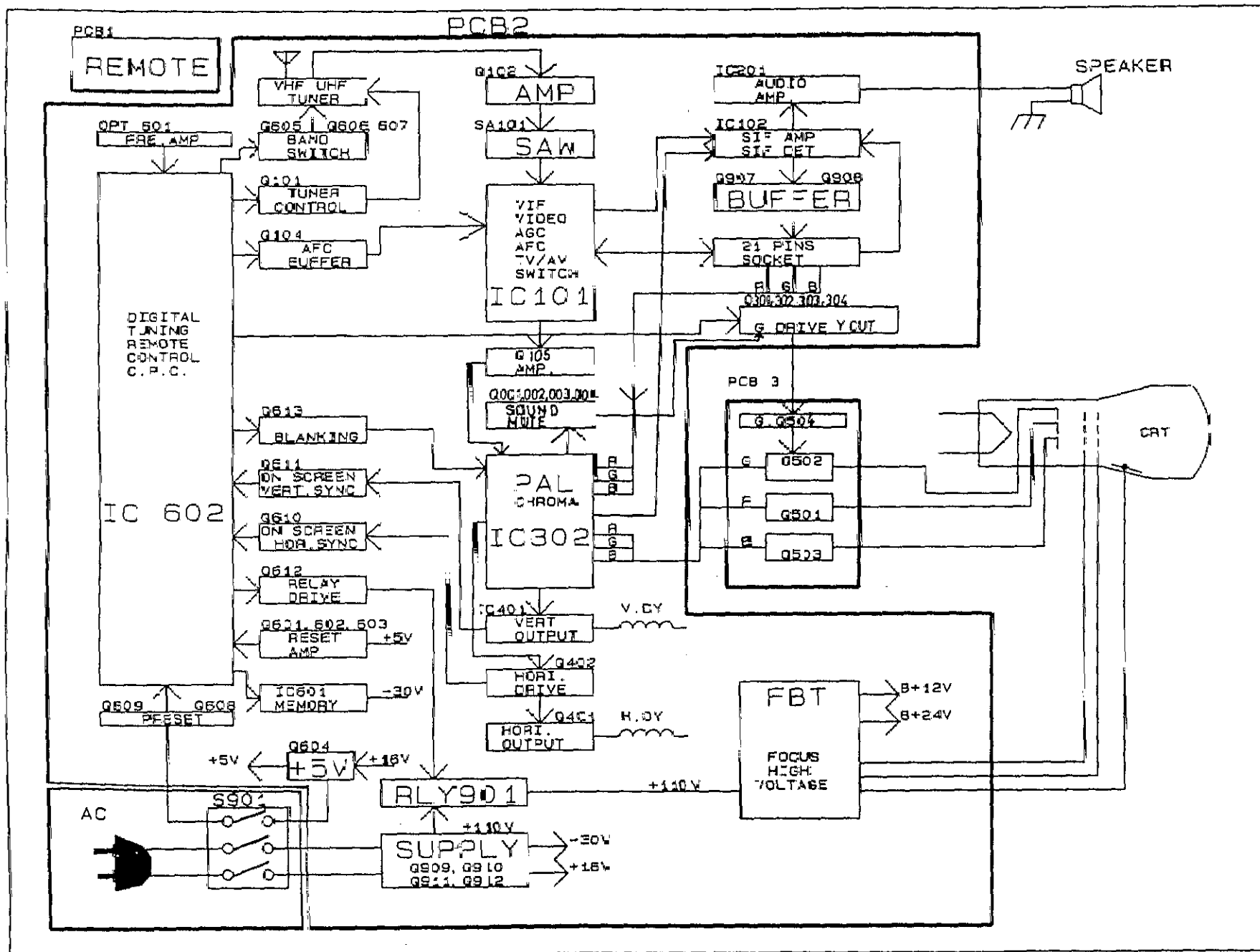
- CONTRAST : Maximum Position
- BRIGHTNESS : Maximum Position
- COLOR : Maximum Position
- SIGNAL INPUT : 80 dBuV
- CHANNEL SETTING : The Last Channel of UHF High
- SIGNAL PATTERN : Colour Bar

VOLTAGE TABLE FOR IC

SYMBOL		IC201	IC102	IC401	IC701		
PIN NO.		(V)	(V)	(V)	(V)		
1		7.3	NC	GND	2.9		
2		14.8	NC	12.3	0		
3		14.4	NC	25	2.9		
4		0.28	5.2	0.9	2.9		
5		0.34	NC	0.7	2.9		
6		3.1	NC	25	2.9		
7		3.0	1.47	1.6	NC		
8		3.0	6.1		0		
9		GND	4.84		2.9		
10		GND	5.4		0		
11		GND	11.6		0		
12		GND	4.2		0		
13		GND	0.05		0		
14		GND	2.48		0		
15		GND	9		0		
16		GND	2.5		0		
17			6.1		0		
18			4.5		GND		
19			4.5				
20			GND				
21							
22							
23							
24							
25							
26							
27							
28							
29							
30							

NOTE : VOLTAGE ARE TAKEN UNDER TUNED CONDITION WITH

- CONTRAST : Maximum Position
- BRIGHTNESS : Maximum Position
- COLOR : Maximum Position
- SIGNAL INPUT : 80 dB μ V
- CHANNEL SETTING : The last Channel of UHF High
- SIGNAL PATTERN : Colour Bar



Print Date : 13/04/83

Page Number : 1

<< B.O.M. PRICE LIST FOR CUSTOMER >> - CURRENCY (USD)

PRODUCT CODE : 882074-500001-GT

DESCRIPTION : GT-8820/GT-M453 TEAO PAL/DQ W/21 PIN M.BLACK 240V SAA TYPE

ASSEMBLY NUMBER	DESCRIPTION
155-000000-02-00	COMMON PART FOR HANDSET ASS'Y
155-000000-02-11	NON-COM PART FOR HANDSET ASS'Y (W/O TT)
158-882074-50-00	COMMON PART FOR CHASSIS ASS'Y (BQ)
158-882074-50-01	NON-COMMON PART FOR CHASSIS ASS'Y (BQ)
159-882074-50-00	COMMON PART FOR CASING ASS'Y (BQ)
159-882074-50-02	NON-COMMON PART FOR CASING ASS'Y (M.BLK)
163-882074-50-02	NON-COMMON PART FOR PACKING ASS'Y (BQ)

** THIS SPARE LIST IS MADE FOR TECHNICAL / MAINTENANCE REFERENCE ONLY **

** THIS SPARE LIST IS MADE FOR TECHNICAL / MAINTENANCE REFERENCE ONLY **

Print Date : 13/04/83 PRODUCT CODE : 882074-500001-GT
 Page Number : 2 DESCRIPTION : GT-8820/GT-H483 TEAC PAL/BG W/21 PIN H.BLACK 240V SAA TYPE

Component Part	Description / Location	Unit	Subs	Quantity Required
*** ASSEMBLY : 155-000000-02-00 COMMON PART FOR HANDSET ASS'Y				
107-800455-46	455K HZ RESONATOR 09B455EB CF701	MURATA	0	1.00000
113-101005-17	CARBON FILM RESISTOR 100 OHM R704,708	1/16W +-5%	PC 0	2.00000
113-102005-17	CARBON FILM RESISTOR 1K OHM R705	1/16W +-5%	PC 0	1.00000
113-103005-17	CARBON FILM RESISTOR 10K OHM R702	1/16W +-5%	PC 0	1.00000
113-109005-17	CARBON FILM RESISTOR 1 OHM R709,710	1/16W +-5%	PC 0	2.00000
113-473005-17	CARBON FILM RESISTOR 47K OHM R703	1/16W +-5%	PC 0	1.00000
113-682005-17	CARBON FILM RESISTOR 6.8K OHM R701	1/16W +-5%	PC 0	1.00000
127-478042-03	ELECT. CAP. 47 MFD 16V +-20% C701		PC 0	1.00000
130-800101-00	INFRARED EMITTER EL-1L1 LED701	KODENSHI	0	1.00000
131-210719-29	TRANSISTOR 2SA719R/S Q702	MAITSUSHI11A	5	1.00000
131-230945-00	TRANSISTOR 2SC945 NEC Q701		0	1.00000
133-803010-33	I.C. SAAS010T PHILIPS IC701		0	1.00000
150-892001-00	REMOTE P.C.B. (200791)		0	1.00000
516-260408-10	SELF-TAPPING SCREW 2.5 X 8 P/T(HARDEN) CAB. MTG.		0	1.00000
773-000802-00	BATTERY CONTACT PLATE (B) (+VE,-VE) W/NICKEL PLATING		0	1.00000
773-881301-00	BATTERY CONTACT PLATE (+)		0	1.00000
773-881302-00	BATTERY CONTACT PLATE (-)		0	1.00000
884-881300-00	SENSOR LENS		0	1.00000

ASSB

** THIS SPARE LIST IS MADE FOR TECHNICAL / MAINTENANCE REFERENCE ONLY **

Print Date : 13/04/93

PRODUCT CODE : 882074-500001-GT

Page Number : 3

DESCRIPTION : GT-8820/CT-M483 TEAC PAL/BG W/21 PIN M.BLACK 240V SAA TYPE

Component Part	Description / Location	Unit Qty	Quantity Required
*** ASSEMBLY : 135-880000-02-11 NON COM PART FOR HANDSET ASSY (W/O TT)			
849-881300-00	CONTACT RUBBER KEY PAD	0	1.00000
892-881301-25	DIAL KEY PLATE - TEAC DESIGN 25 KEYS (W/O TT,PHILIPS IC)	0	1.00000
906-881310-01	HANDSET TOP CABINET - BLACK Moulded(MATCH W/902-881310-01)	1	1.00000
900-881311-01	HANDSET TOP CABINET - BLACK MOULDED(MATCH W/902-881311-01)	1	.00000
902-881310-01	HANDSET BOTTOM CABINET - BLACKMOULDED	2	1.00000
902-881311-01	HANDSET BOTTOM CABINET - BLACKMOULDED	2	.00000
910-881301-01	BATTERY DOOR	0	1.00000

ASSI

** THIS SPARE LIST IS MADE FOR TECHNICAL / MAINTENANCE REFERENCE ONLY **

Print Date : 13/04/93

PRODUCT CODE : 882074-500001-0T

Page Number : 4

DESCRIPTION : GT-8820/CT-M483 TEAC PAL/BG W/21 PIN M.BLACK 240V SAA TYPE

Component Part	Description / Location	Unit	Subs	Quantity Required
A** ASSEMBLY : 188-882074-50-00 COMMON PART FOR CHASSIS ASS'Y (BG)				
001-220027-07	FLYBACK TRANSFORMER FGM20B027 SAMSUNG T402	PC	0	1.00000
012-102340-06	SEMI-FIXED RESISTOR EVND8AA 03B13 1KB VR401,901		0	2.00000
012-103340-08	SEMI-FIXED RESISTOR EVND8AA 03B14 10KB VR103	PC	0	1.00000
012-104348-08	SEMI-FIXED RESISTOR EVND8AA 03B15 100KB VR101	PC	0	1.00000
012-301330-06	SEMI-FIXED RESISTOR EVND2AA 03B32 300B VR503,505		0	2.00000
012-501340-05	SEMI-FIXED RESISTOR EVND 8AA 03B52 500B VR302		0	1.00000
012-502300-08	SEMI-FIXED RESISTOR EVND2AA 03B53 5KB VR502,504,501		0	3.00000
012-502340-08	SEMI-FIXED RESISTOR EVND8AA 03B53 5KB VR601		0	1.00000
012-503340-08	SEMI-FIXED RESISTOR EVND8AA 03B54 50KB VR102,301		0	2.00000
013-100001-00	GLASS DELAY LINE (MATSUSHITA EFD-EN645A11Q) BLV302		0	1.00000
013-200005-00	Y-DELAY LINE YBL50F18X DLY301		0	1.00000
101-198113-96	HORIZONTAL DRIVE TRANSFORMER (MITSUMI AT-19E-R0710) T401		0	1.00000
101-288820-95	LINE FILTER 70MH L901		0	1.00000
101-418113-94	SWITCHING POWER TRANSFORMER DELTA TWE4215V T901		0	1.00000
102-370600-02	TANK COIL / AFC COIL COILS 707851 T101		0	1.00000
102-871000-02	SOUND IF 5.5 TO 6.3 Mhz COIL. CNT19 708997 T102		0	1.00000
102-770200-02	SECAM COLOR PAL DELAY LINE MATCHING COILS 707850 T301		0	1.00000
105-100103-02	FIXED INDUCTIVE COIL 10UH +-10% AXIAL TYPE L102		0	1.00000
105-150101-02	FIXED INDUCTIVE COIL 15UH 10% L105,104		0	2.00000
105-201108-02	CHUCKE COIL 200UH 10% CHS012- 201K (ELEC PRODUCT) L903		0	1.00000
105-330101-02	FIXED INDUCTIVE COIL 33UH +-10% T305		0	1.00000
105-331101-02	FIXED INDUCTIVE COIL 330UH +-10% L801		0	1.00000
105-850052-13	LINEARITY COIL 65UH FOR 20" CRT L401		0	1.00000
105-889101-02	FIXED INDUCTIVE COIL 6.8UH 10% L103		0	1.00000

** THIS SPARE LIST IS MADE FOR TECHNICAL / MAINTENANCE REFERENCE ONLY **

Print Date : 13/04/93 PRODUCT CODE : 882074-500001-GT
 Page Number : 5 DESCRIPTION : GT-8820/CT-M483 TEAC PAL/BG W/21 PIN M.BLACK 240V SAA TYPE

Component Part	Description / Location	Unit	Subs	Quantity Required
105-828103-02	FIXED INDUCTIVE COIL 0.82UH 10% AXIAL TYPE L101		0	1.00000
105-828101-02	FIXED INDUCTIVE COIL 8.2UH 10% L301,302,303,304		0	4.00000
113-100105-17	CARBON FILM RESISTOR 10 OHM 1/4W +-5% R601,119,108,183	PC	0	4.00000
113-101105-17	CARBON FILM RESISTOR 100 OHM 1/4W +-5% R328,337,338,309,319,322,324,325,350,343,344,338	PC	0	12.00000
113-102105-17	CARBON FILM RESISTOR 1K OHM 1/4W +-5% R921,329,352,331,402,613	PC	0	8.00000
113-102105-17	CARBON FILM RESISTOR 1K OHM 1/4W +-5% R819,817,607,608,618,620,621,834,837,840,641,633	PC	0	12.00000
113-102105-17	CARBON FILM RESISTOR 1K OHM 1/4W +-5% R036,838,642,109,143,153,160,320,321,302,328	PC	0	11.00000
113-102305-75	METAL OXIDE FILM RESISTOR 1K OHM 1W +-5% R414	PC	0	1.00000
113-103101-67	METAL FILM RESISTOR 10K OHM 1/4W +-1% R809	PC	0	1.00000
113-103105-12	CARBON FILM RESISTOR 10K OHM 1/4W +-5% R908,423	PC	0	2.00000
113-103105-17	CARBON FILM RESISTOR 10K OHM 1/4W +-5% R605,812,823,635,648,832,103,110,113,104,111,165	PC	0	12.00000
113-103105-17	CARBON FILM RESISTOR 10K OHM 1/4W +-5% R303,304,318,354,209,407	PC	0	8.00000
113-103405-75	METAL OXIDE FILM RESISTOR 10K OHM 2W +-5% R182	PC	0	1.00000
113-104105-17	CARBON FILM RESISTOR 100K OHM 1/4W +-5% R181,303	PC	0	2.00000
113-104205-12	CARBON FILM RESISTOR 100K OHM 1/2W +-5% R920	PC	0	1.00000
113-104305-75	METAL OXIDE FILM RESISTOR 100KOHM 1W +-5% R925	PC	0	1.00000
113-105001-67	METAL FILM RESISTOR 1M OHM 1/16W +-1% R138	PC	0	1.00000
113-120305-75	METAL OXIDE FILM RESISTOR 12 OHM 1W +-5% R911	PC	0	1.00000
113-120405-75	METAL OXIDE FILM RESISTOR 12 OHM 2W +-5% R924	PC	0	1.00000
113-122105-17	CARBON FILM RESISTOR 1.2K OHM 1/4W +-5% R323,602	PC	0	2.00000
113-123105-17	CARBON FILM RESISTOR 12K OHM 1/4W +-5% R132,615,926,933	PC	0	4.00000
113-124205-12	CARBON FILM RESISTOR 120K OHM 1/2W +-5% R421	PC	0	1.00000
113-125105-17	CARBON FILM RESISTOR 1.5K OHM 1/4W +-5% R150,152	PC	0	2.00000
113-153105-17	CARBON FILM RESISTOR 15K OHM 1/4W +-5% R604,610,616,116,401	PC	3	1.00000
113-153405-75	METAL OXIDE FILM RESISTOR 15K OHM 2W +-5% R510,511,505	PC	0	3.00000

** THIS SPARE LIST IS MADE FOR TECHNICAL / MAINTENANCE REFERENCE ONLY **

Print Date : 13/04/93

PRODUCT CODE : 8820/4-500001-8T

Page Number : 8

DESCRIPTION : GT-8920/GT-M483 TEAC PAL/BG W/21 PIN M.BLACK 240V SAA TYPE

Component Part	Description / Location	Unit	Subs	Quantity Required
113-184105-17	CARBON FILM RESISTOR 150K OHM 1/4W +-5% R157	PC	0	1.00000
113-159305-75	METAL OXIDE FILM RESISTOR 1.5 OHM 1W +-5% R410	PC	0	1.00000
113-159405-42	NON-FLAMMABLE FUSE RESISTOR 1.5 OHM 2W +-5% R501	PC	0	1.00000
113-181105-17	CARBON FILM RESISTOR 180 OHM 1/4W +-5% R305,307,310,313,340	PC	0	5.00000
113-182105-17	CARBON FILM RESISTOR 1.8K OHM 1/4W +-5% R907,628,629,630,631,148,335,334	PC	0	8.00000
113-183105-17	CARBON FILM RESISTOR 18K OHM 1/4W +-5% R317,408	PC	0	2.00000
113-184105-17	CARBON FILM RESISTOR 180K OHM 1/4W +-5% R151,156	PC	0	2.00000
113-202605-75	METAL OXIDE FILM RESISTOR 2K OHM 5W +-5% R416	PC	0	1.00000
113-220105-17	CARBON FILM RESISTOR 22 OHM 1/4W +-5% R325	PC	0	1.00000
113-221105-17	CARBON FILM RESISTOR 220 OHM 1/4W +-5% R112,627,108	PC	0	3.00000
113-221305-75	METAL OXIDE FILM RESISTOR 220 OHM 1W +-5% R413	PC	0	1.00000
113-222105-17	CARBON FILM RESISTOR 2.2K OHM 1/4W +-5% R507,509,513,201,141,652,306,308,311,332	PC	0	10.00000
113-223101-87	METAL FILM RESISTOR 22K OHM 1/4W +-1% R606	PC	0	1.00000
113-223105-17	CARBON FILM RESISTOR 22K OHM 1/4W +-5% R648,129,312,314,417	PC	0	5.00000
113-224105-17	CARBON FILM RESISTOR 220K OHM 1/4W +-5% R333,207,653	PC	0	3.00000
113-229105-17	CARBON FILM RESISTOR 2.2 OHM 1/4W +-5% R125,342,208	PC	0	3.00000
113-230205-12	CARBON FILM RESISTOR 2.2 OHM 1/2W +-5% R139,351	PC	0	2.00000
113-229305-72	METAL OXIDE FILM RESISTOR 2.2 OHM 1W +-5% R202	PC	0	1.00000
113-229405-75	METAL OXIDE FILM RESISTOR 2.2 OHM 2W +-5% R902	PC	0	1.00000
113-229605-51	WIRE WOUND CEMENT RESISTOR 2.2 OHM 5W +-5% R901	PC	0	1.00000
113-270105-17	CARBON FILM RESISTOR 27 OHM 1/4W +-5% R115	PC	0	1.00000
113-270405-75	METAL OXIDE FILM RESISTOR 27 OHM 2W +-5% R912	PC	0	1.00000
113-271105-17	CARBON FILM RESISTOR 270 OHM 1/4W +-5% R147	PC	0	1.00000
113-272105-17	CARBON FILM RESISTOR 2.7K OHM 1/4W +-5% R142,134	PC	0	2.00000
113-272205-17	CARBON FILM RESISTOR 2.7K OHM 1/2W +-5% R922,409,415	PC	0	3.00000

** THIS SPARE LIST IS MADE FOR TECHNICAL / MAINTENANCE REFERENCE ONLY **

Print Date : 13/04/93 PRODUCT CODE : 882074-500001-GT
 Page Number : 7 DESCRIPTION : GT-8820/GT-M493 TEAC PAL/BD W/21 PIN M.BLACK 240V SAA TYPE

Component Part	Description / Location	Unit	Subs	Quantity Required
113-272205-92	CARBON COMPOSITION RESISTOR 2.7K OHM 1/2W +-5% R502,503,504	PC	0	3.00000
113-273105-17	CARBON FILM RESISTOR 27K OHM 1/4W +-5% R155,603	PC	0	2.00000
113-331105-17	CARBON FILM RESISTOR 330 OHM 1/4W +-5% R905,411,343,344,362	PC	0	5.00000
113-332101-67	METAL FILM RESISTOR 3.3K OHM 1/4W +-1% R146	PC	0	1.00000
113-332102-17	CARBON FILM RESISTOR 3.3K OHM 1/4W +-2% R904	PC	0	1.00000
113-332105-17	CARBON FILM RESISTOR 3.3K OHM 1/4W +-5% R204,611,645,647	PC	0	4.00000
113-333105-17	CARBON FILM RESISTOR 33K OHM 1/4W +-5% R118,127,128,114,117,144,488	PC	0	7.00000
113-334105-17	CARBON FILM RESISTOR 330K OHM 1/4W +-5% R139	PC	0	1.00000
113-334305-75	METAL OXIDE FILM RESISTOR 330KOHM 1W +-5% R913	PC	0	1.00000
113-335105-17	CARBON FILM RESISTOR 3.3M OHM 1/4W +-5% R365	PC	0	1.00000
113-338405-75	METAL OXIDE FILM RESISTOR 0.330HM 2W +-5% R914	PC	0	1.00000
113-390605-75	METAL OXIDE FILM RESISTOR 39 OHM 3W +-5% R926	PC	0	1.00000
113-390605-75	METAL OXIDE FILM RESISTOR 39 OHM 5W +-5% R915	PC	0	1.00000
113-391105-17	CARBON FILM RESISTOR 390 OHM 1/4W +-5% R506,508,347	PC	0	3.00000
113-392105-17	CARBON FILM RESISTOR 3.9K OHM 1/4W +-5% R404	PC	0	1.00000
113-393105-17	CARBON FILM RESISTOR 39K OHM 1/4W +-5% R316	PC	0	1.00000
113-471105-17	CARBON FILM RESISTOR 470 OHM 1/4W +-5% R140,412	PC	0	2.00000
113-473106-17	CARBON FILM RESISTOR 4.7K OHM 1/4W +-5% R910,149,927,324	PC	0	4.00000
113-473105-17	CARBON FILM RESISTOR 47K OHM 1/4W +-5% R822,648,651,301,341	PC	0	5.00000
113-479105-17	CARBON FILM RESISTOR 4.7 OHM 1/4W +-5% R327	PC	0	1.00000
113-511105-17	CARBON FILM RESISTOR 510 OHM 1/4W +-5% R312	PC	0	1.00000
113-562105-17	CARBON FILM RESISTOR 5.6K OHM 1/4W +-5% R105,318,203,206	PC	0	4.00000
113-565205-92	CARBON COMPOSITION RESISTOR 5.6M 1/2W +-5% R916,917	PC	0	2.00000
113-629405-75	METAL OXIDE FILM RESISTOR 6.2 OHM 2W +-5% R422	PC	0	1.00000
113-682102-17	CARBON FILM RESISTOR 6.8K OHM 1/4W +-2% R803	PC	0	1.00000

** THIS SPARE LIST IS MADE FOR TECHNICAL / MAINTENANCE REFERENCE ONLY **

Print Date : 13/04/93 PRODUCT CODE : 882074-500001-GT
 Page Number : 8 DESCRIPTION : GT-8820/GT-M493 TEAC PAL/BQ W/21 PIN M.BLACK 240V SAA TYPE

Component Part	Description / Location	Unit	Subs	Quantity Required
113-882105-17	CARBON FILM RESISTOR 6.8K OHM 1/4W +-5% R909,355,415	PC	0	3.00000
113-883105-17	CARBON FILM RESISTOR 68K OHM 1/4W +-5% R405	PC	0	1.00000
113-888205-42	FUSING RESISTOR 0.68 OHM 1/2W +-5% R919	PC	0	1.00000
113-888305-42	FUSING RESISTOR 0.68 OHM 1W +-5% R918,423,424	PC	0	3.00000
113-750105-17	CARBON FILM RESISTOR 75 OHM 1/4W +-5% R929,930,931,932	PC	0	4.00000
113-820105-17	CARBON FILM RESISTOR 82 OHM 1/4W +-5% R418,101,326,330	PC	0	4.00000
113-821105-17	CARBON FILM RESISTOR 820 OHM 1/4W +-5% R360	PC	0	1.00000
113-822105-17	CARBON FILM RESISTOR 8.2K OHM 1/4W +-5% R908,923,420,626	PC	0	4.00000
113-823105-17	CARBON FILM RESISTOR 82K OHM 1/4W +-5% R145	PC	0	1.00000
113-824105-17	CARBON FILM RESISTOR 820K OHM 1/4W +-5% R158	PC	0	1.00000
114-210200-01	THERMISTOR (NICHICON ZPB53 BL 200C) TH901		0	1.00000
123-100340-60	CERAMIC CAP. 10PF +-5% 50V (SL TYPE) C349	PC	0	1.00000
123-101350-60	CERAMIC CAP. 100 PF 50V +-10% (SL TYPE) C605,628,611,612	PC	0	4.00000
123-102350-90	CERAMIC CAP. 0.001 MFD 50V +-10% (B TYPE) C138,614,618,920,921	PC	0	5.00000
123-102850-10	CERAMIC CAP. 0.001 MFD 2KV +-10% MATSUSHITA C501	PC	0	1.00000
123-103350-90	CERAMIC CAP. 0.01 MFD 50V +-10% (B TYPE) C102,117,110,125,311,323,324	PC	0	7.00000
123-104350-90	CERAMIC CAP. 0.1 MFD 50V +-10% (B TYPE) C623,123,139,306,309,307	PC	0	6.00000
123-121350-60	CERAMIC CAP. 120 PF 50V +-10% (SL TYPE) C301,302,303	PC	0	3.00000
123-122551-90	CERAMIC CAP. 0.0012 MFD 500V +-10% (B TYPE) MATSUSHITA C415	PC	0	1.00000
123-150340-93	CERAMIC CAP. 15 PF 50V +-5% (NPO) CT301	PC	0	1.00000
123-151350-60	CERAMIC CAP 150 PF 50V +-10% (SL TYPE) C137	PC	0	1.00000
123-203350-90	CERAMIC CAP. 0.02 MFD 50V +-10% (B TYPE) C104,121,124,122,127,128,125,135,301,302,343,335	PC	0	12.00000
123-203350-90	CERAMIC CAP. 0.02 MFD 50V +-10% (B TYPE) G344	PC	0	1.00000
123-220340-60	CERAMIC CAP. 22 PF 50V +-5% (SL TYPE) C616,617,618,620	PC	0	4.00000
123-221350-60	CERAMIC CAP. 220 PF 50V +-10% (SL TYPE) C347,503,504,502	PC	0	4.00000

** THIS SPARE LIST IS MADE FOR TECHNICAL / MAINTENANCE REFERENCE ONLY **

Print Date : 13/04/93 PRODUCT CODE : 882074-500001-GT
 Page Number : 9 DESCRIPTION : GT-8820/CT-M483 TEAC PAL/BQ W/21 PIN M.BLACK 240V SAA TYPE

Component Part	Description / Location	Unit	Subs	Quantit Require
123-221551-90	CERAMIC CAP. 220 PF 500V +-10% MATSUSHITA C918	PC	0	1.0000
123-222850-10	CERAMIC CAP. 0.0022 MFD 2KV +-10% MATSUSHITA C419,911	PC	0	2.0000
123-390340-93	CERAMIC CAP. 39PF 50V +-5% (NPO) C880	PC	0	1.0000
123-470340-60	CERAMIC CAP. 47 PF 50V +-5% (SL TYPE) Q118,121	PC	0	2.0000
123-472551-90	CERAMIC CAP. 0.0047 MFD 500V +-10% (B TYPE) MATSUSHITA C913,413,423	PC	0	3.0000
123-472552-90	CERAMIC CAP. 0.0047 MFD 500V +-10% (B TYPE) SMALL SIZE C904,903,907	PC	0	3.0000
123-509340-93	CERAMIC CAP. 5 PF 50V +-5% (NPO) C356	PC	0	1.0000
123-680340-60	CERAMIC CAP. 68 PF 50V +-5% (SL TYPE) C813	PC	0	1.0000
123-681350-60	CERAMIC CAP. 880 PF 50V +-10% (SL TYPE) C407	PC	0	1.0000
123-821850-10	CERAMIC CAP. 820 PF 2KV +-10% (SL TYPE) MATSUSHITA C914	PC	0	1.0000
124-106041-03	TANTALIUM CAP. 10 MFD 16V +-10% C404,427		0	2.0000
126-102071-01	MYLAR CAP. 0.001 MFD 30V +-10% C130,402,426	PC	0	3.0000
126-103071-01	MYLAR CAP. 0.01 MFD 50V +-10% C204,361	PC	0	2.0000
126-104071-01	MYLAR CAP. 0.1 MFD 50V +-10% C602,603,908,304,305,308,310,324,325,326,205,133	PC	0	12.0000
126-104071-01	MYLAR CAP. 0.1 MFD 50V +-10% C207,409	PC	0	2.0000
126-104101-31	POLYPROPYLENE CAP. 0.1 MFD 100V +-10% C425	PC	0	1.0000
126-222071-01	MYLAR CAP. 0.0022 MFD 50V +-10% C610,624,203	PC	0	3.0000
126-222161-41	METALIZED POLYPROPYLENE CAP. 0.0022 MFD 1600V +-10% C420	PC	0	1.0000
126-223071-01	MYLAR CAP. 0.022 MFD 50V +-10% C321,322,323	PC	0	3.0000
126-224071-01	MYLAR CAP 0.22 MFD 50V +-10% C140,318,115	PC	0	3.0000
126-272070-31	POLYPROPYLENE CAP. 0.0027 MFD 50V +-5% C141	PC	0	1.0000
126-333161-41	METALIZED POLYPROPYLENE CAP. 0.0033 MFD 1600V +-10% C418	PC	0	1.0000
126-333071-01	MYLAR CAP. 0.033 MFD 50V +-10% C806	PC	0	1.0000
126-334071-01	MYLAR CAP. 0.33 MFD 50V +-10% C143,145	PC	0	2.0000
126-472071-01	MYLAR CAP. 0.0047 MFD 50V +-10% C403,405	PC	0	2.0000

** THIS SPARE LIST IS MADE FOR TECHNICAL / MAINTENANCE REFERENCE ONLY **

Print Date : 13/04/03

PRODUCT CODE : 882074-500001-GT

Page Number : 10

DESCRIPTION : GT-8820/GT-M483 TEAC PAL/BS W/21 PIN H.BLACK 240V SAA TYPE

Component Part	Description / Location	Unit	Subs	Quantity Required
126-473071-01	MYLAR CAP. 0.047 MFD 50V +-10% C134,346	PC	0	2.00000
126-473211-41	METALLIZED POLYPROPYLENE CAP 0.047 MFD 250V +-10% VDE C902	PC	0	1.00000
126-474201-31	POLYPROPYLENE CAP 0.47 MFD 200V +-10% C414	PC	0	1.00000
126-474211-41	METALLIZED POLYPROPYLENE CAP 0.47 MFD 250V +-10% VDE C901	PC	0	1.00000
127-105072-03	ELECT. CAP. 1 MFD 50V +-20% C107,142,359,314,315,317,353,354,208	PC	0	9.00000
127-105132-03	ELECT. CAP. 1 MFD 160V +-20% C416	PC	0	1.00000
127-106042-03	ELECT. CAP. 10 MFD 16V +-20% C627,621,601,615,619,626,622,108,113,116	PC	0	10.00000
127-106042-03	ELECT. CAP. 10 MFD 16V +-20% C919,312,328,329,362,316,318,319	PC	0	8.00000
127-106072-03	ELECT. CAP. 10 MFD 50V +-20% C910	PC	0	1.00000
127-106252-03	ELECT. CAP. 10 MFD 250V +-20% C424	PC	0	1.00000
127-107042-03	ELECT. CAP. 100 MFD 16V +-20% C125,119,313,623	PC	0	4.00000
127-107062-03	ELECT. CAP. 100 MFD 35V +-20% C201,408	PC	0	2.00000
127-107132-03	ELECT. CAP. 100 MFD 160V +-20% C915	PC	0	1.00000
127-107402-03	ELECT. CAP. 100 MFD 400V +-20% C905	PC	0	1.00000
127-108052-03	ELECT. CAP. 1000 MFD 25V +-20% C206	PC	0	1.00000
127-226042-03	ELECT. CAP. 22 MFD 16V +-20% C609,202	PC	0	2.00000
127-227042-03	ELECT. CAP. 220 MFD 16V +-20% C320	PC	0	1.00000
127-227062-03	ELECT. CAP. 220 MFD 35V +-20% C917,410,411	PC	0	3.00000
127-228052-03	ELECT. CAP. 2200 MFD 25V +-20% C406,422	PC	0	2.00000
127-336042-03	ELECT. CAP. 33 MFD 16V +-20% C144,923	PC	0	2.00000
127-338052-03	ELECT. CAP. 3300 MFD 25V +-20% C421	PC	0	1.00000
127-474042-03	ELECT. CAP. 0.47 MFD 16V +-20% C327	PC	0	1.00000
127-474070-03	ELECT. CAP. 0.47 MFD 50V +-20% C210,211	PC	0	2.00000
127-475042-03	ELECT. CAP. 4.7 MFD 16V +-20% C607,608,604,136	PC	0	4.00000
127-476042-03	ELECT. CAP. 47 MFD 16V +-20% C401	PC	0	1.00000

** THIS SPARE LIST IS MADE FOR TECHNICAL / MAINTENANCE REFERENCE ONLY **

Print Date : 13/04/93 PRODUCT CODE : 882074-500001-GT
 Page Number : 11 DESCRIPTION : GT-8820/CT-M483 TEAC PAL/BG W/21 PIN H.BLACK 240V SAA TYPE

Component Part	Description / Location	Unit	Subs	Quantit. Required
127-476052-03	ELECT. CAP. 47 MFD 25V +-20% C588	PC	0	1.0000
127-475132-03	ELECT. CAP. 47 MFD 160V +-20% C417	PC	8	1.0000
127-477042-03	ELECT. CAP. 470 MFD 16V +-20% C146,922,363,209,120	PC	0	5.0000
130-134148-01	SILICON DIODE IN4148 D408,304,301,302,303,305		0	6.0000
130-134148-01	SILICON DIODE IN4148 D602,601,605,606,607,608,609,610,603		0	9.0000
130-310156-00	BRIDGE RECTIFIER RB156 SANKEN BR901		0	1.0000
130-311541-60	RECTIFIER DOIDE 1R5JU41 D904		0	1.0000
130-311545-60	RECTIFIER DIODE 1R5JH45 D404		0	1.0000
130-314408-00	RECTIFIER DIODE ERB44-06 FUJI D905		0	1.0000
130-315295-00	RECTIFIER DIODE S5295G TOSHIBA D902,903,901,401,402,403,405		0	7.0000
130-410082-01	ZENER DIODE 8.2V ZD901		0	1.0000
130-410091-01	ZENER DIODE 9.1V 1/2W +-5% ZD902		0	1.0000
130-410100-01	ZENER DIODE 10V 1/2W ZD401		0	1.0000
130-410574-00	ZENER DIODE UPQ 574J NEC OR KA33V SAMSUNG ZD101		0	1.0000
130-422120-00	ZENER DIODE 1W 12V ZD402		0	1.0000
130-510124-00	LED LAMP RED 3MM TLR124 (TOSHIBA) LED601	PC	0	1.0000
131-211013-18	TRANSISTOR 2SA1013 (R) TOSHIBA Q905		0	1.0000
131-211015-00	TRANSISTOR 2SA1015 TOSHIBA Q101,102,108		0	3.0000
131-220774-20	TRANSISTOR 2SB774 MATSUSHITA Q902		0	1.0000
131-230388-00	TRANSISTOR 2SC388A TOSHIBA Q105		0	1.0000
131-231815-25	TRANSISTOR 2SC1815 TOSHIBA Q103,104,107,111,110,901,903,301,602,305,302		0	11.0000
131-231815-25	TRANSISTOR 2SC1815 TOSHIBA Q603,604,605		0	3.0000
131-232230-00	TRANSISTOR 2SC2230A-Y TOSHIBA Q905		0	1.0000
131-232335-30	TRANSISTOR 2SC2335 L/K NEC Q907		0	1.0000
131-232482-00	TRANSISTOR 2SC2482 TOSHIBA Q401,501,502,503		0	4.0000

** THIS SPARE LIST IS MADE FOR TECHNICAL / MAINTENANCE REFERENCE ONLY **

Print Date : 13/04/93 PRODUCT CODE : 882074-500001-GT
 Page Number : 12 DESCRIPTION : GT-8820/CT-M483 TEAC PAL/BG W/21 PIN W.BLACK 240V SAA TYPE

Component Part	Description / Location	Unit	Subs	Quantity Required
131-240400-00	TRANSISTOR 2SD400E/F SANYO Q201		0	1.00000
131-241431-00	TRANSISTOR 2SD1431 TOSHIBA WITH MICA SHEET Q904		0	1.00000
131-241555-00	TRANSISTOR 2SD1555 TOSHIBA Q402		0	1.00000
131-482389-00	TRANSISTOR PH2369 PHILIPS Q601	PC	0	1.00000
133-102421-31	I.C. ST24C02AB1 SGS IC602		0	1.00000
133-103504-33	I.C. TDA3504 PHILIPS IC304		0	1.00000
133-104505-33	I.C. TDA4505E PHILIPS IC102		0	1.00000
133-104510-33	PHILIPS IC TDA4510 IC305		0	1.00000
133-184840-33	PHILIPS IC PCA 84C640P IC601		0	1.00000
133-201013-33	I.C. TDA1013B PHILIPS IC201		0	1.00000
133-203653-33	I.C. TDA3653B PHILIPS IC401		0	1.00000
133-207805-31	I.C. L7805CV SGS IC901		0	1.00000
133-207812-31	IC L7812CV SGS-THOMSON IC103		0	1.00000
133-301014-31	I.C. TEA1014 SGS IC303		0	1.00000
133-304241-33	I.C. PC74HCT241P PHILIPS IC301		0	1.00000
133-305114-31	I.C. TEA5114A SGS IC302		0	1.00000
136-500337-00	REMOTE RECEIVER (KODENSHI OPT601 HC-337M)		0	1.00000
137-100000-30	CRYSTAL 10 MHZ X601		0	1.00000
137-888725-28	CRYSTAL 8.88 MHZ X301		0	1.00000
146-100001-14	POWER SWITCH (ESB-999579 COST COST REDUCTION) S812		0	1.00000
146-100002-13	TACT SWITCH KSM0634A S602,603,604,605,601,606,608,609		0	3.00000
146-104016-13	TACT SWITCH 31TM116A UNITRONIC S610,613,611,614		0	4.00000
160-101001-08	PIN CONNECTOR 1 PIN PLUG STRAIGHT FOR CN501,501,502		0	3.00000
160-102255-27	PIN CONNECTOR 2 PINS PLUG STRAIGHT (UL) CN601,201,202		0	3.00000
160-102805-08	PIN CONNECTOR 2 PIN PLUG STRAIGHT CN903		0	1.00000

** THIS SPARE LIST IS MADE FOR TECHNICAL / MAINTENANCE REFERENCE ONLY **

Print Date : 13/04/93 PRODUCT CODE : 882074-500001-GT
 Page Number : 13 DESCRIPTION : G1-8820/CT-M483 TEAC PAL/BG W/21 PIN H.BLACK 240V SAA TYPE

Component Part	Description / Location	Unit	Subs	Quantity Required
160-103805-08	PIN CONNECTOR 3 PIN PLUG STRAIGHT CN402		0	1.85500
160-104805-08	PIN CONNECTOR 4 PIN PLUG STRAIGHT CN401		0	1.00000
160-105255-27	PIN CONNECTOR 5 PINS WAFER CN203	PC	0	1.00000
161-540105-01	CRT SOCKET HPS0145-01-500 (HOSIDEN)		0	1.00000
181-883702-22	21 PIN SOCKET J901		0	1.00000
172-620005-10	UL 1007 TOP COAT WIRE AWG 20 50MM BLACK 5 X 5MM FOR C134 GND TO C140 GND		0	1.00000
172-620010-10	UL 1007 TOP COAT WIRE AWG 20 100MM BLACK 10 X 10MM MAIN P.C.B 'C' TO 'C'		0	1.00000
172-620014-10	UL 1007 TOP COAT WIRE AWG 20 140MM BLACK 10 X 10 MM MAIN P.C.B 'E' TO 'E'		0	1.00000
172-626006-10	UL 1007 TOP COAT WIRE #26 80MMBLACK 10 X 10 MM Q904 LUG TO MAIN PCB 'L', IC401 LUG TO MAIN PCB 'H'		0	3.00000
172-626008-10	UL 1007 TOP COAT WIRE #26 80MMBLACK 10 X 10 MM Q402 LUG TO MAIN PCB 'K'		0	.00000
172-626012-14	UL 1007 TOP COAT WIRE AWG 26 120MM YELLOW 10 X 10MM MAIN PCB 'F' TO 'F', 'G' TO 'G'		0	2.00000
172-626012-14	UL 1007 TOP COAT WIRE AWG 26 120MM YELLOW 10 X 10MM MAIN PCB 'D' TO 'D'		0	1.00000
172-626014-12	UL 1007 TOP COAT WIRE #26 140MM RED 10 X 10MM MAIN PCB 'A' TO 'A'		0	1.00000
172-626020-12	UL 1007 TOP COAT WIRE AWG 26 200MM RED 10 X 10MM MAIN PCB 'B' TO 'B'		0	1.00000
172-726000-99	BARE WIRE 54MM W001-012, 014-050, 052-082, 084-083, 085-087, 089	M	0	4.00000
172-830120-99	FLAT BRIDED WIRE CRT GROUND	M	0	1.20000
173-622014-30	SINGLE SHIELD WIRE AWG 26 140MM BLACK 'H' TO 'H'		0	1.00000
179-001010-00	OIL SLEEVING 1 MM DIA. L=40MM, 20MM FOR D904, 20MM FOR BR901	M.	0	.04000
179-105000-00	UL PVC TUBE 5MM DIA L=60MM FOR AC LINE GND	M.	0	0.00000
179-403030-00	3MM DIA. SHRINKABLE TUBE FOR 130MM SOLDERING LUG		0	.13000
179-403080-00	SHRINKABLE TUBE 180MM FOR 4-DEGAUSSING COIL LUG(P/N:750-892002-00)		0	.18000
182-233150-03	FUSE T3.15A 250V F901		0	1.00000
190-882000-04	POWER SWITCH P.C.B. (226731) FOR 5801		0	1.00000
190-882004-00	P.C. BOARD CRT (170792)		0	1.00000
190-882007-01	MAIN P.C. BOARD (120392)		0	1.00000
191-100034-09	1 PIN SOCKET ASSM'Y L=220MM CRT GND TO CN501		0	1.00000

** THIS SPARE LIST IS MADE FOR TECHNICAL / MAINTENANCE REFERENCE ONLY **

Print Date : 13/04/93 PRODUCT CODE : 882074-500001-GT
 Page Number : 14 DESCRIPTION : GT-8820/CT-M4B3 TEAO PAL/BG W/21 PIN H.BLACK 240V SAA TYPE

Component Part	Description / Location	Unit	Subs	Quantity Required
191-100035-09	1 PIN SOCKET ASSM'Y FROM POWER SWITCH PCB 'A' TO CN901		0	1.00000
191-100036-09	1 PIN SOCKET ASSM'Y FROM POWER SWITCH PCB 'B' TO CN902		0	1.00000
191-200031-09	2 PIN SOCKET ASS'Y L=80MM FOR CN601 TO POWER SWITCH PCB		0	1.00000
191-300040-09	3 PIN SOCKET ASSM'Y CN402 '1' TO CRT PCB 'J'		0	1.00000
191-300040-09	3 PIN SOCKET ASSM'Y CN402 '2' TO CRT PCB 'I'		0	.00000
191-300040-09	3 PIN SOCKET ASSM'Y CN402 '3' TO CRT PCB 'H'		0	.00000
191-500048-09	5 PIN SOCKET ASSM'Y CN203 '1' TO CRT PCB 'A'		0	1.00000
191-500048-09	5 PIN SOCKET ASSM'Y CN203 '2' TO CRT PCB 'B'		0	.00000
191-500048-09	5 PIN SOCKET ASSM'Y CN203 '3' TO CRT PCB 'C'		0	.00000
191-500048-09	5 PIN SOCKET ASSM'Y CN203 '4' TO CRT PCB 'D'		0	.00000
191-500048-09	5 PIN SOCKET ASSM'Y CN203 '5' TO CRT PCB 'E'		0	.00000
504-305006-10	MACHINE SCREW 3 X 8 B/M 2 FOR POWER SWITCH MTG , 1 FOR IC901		0	3.00000
517-303312-10	SELF-TAPPING SCREW 3 X 12 W/A W/H=7MM (HARDEN) FOR HEAT SINK (A) , (B) & (C)		0	3.00000
540-020040-01	BRASS EYELET 2X4MM FOR POWER SWITCH PCB	PC	0	4.00000
580-101261-01	CABLE TIE L=100MM FOR CRT BOARD , CONNECTOR	PC	0	7.00000
746-063101-00	TEST PIN: TOTAL LENGTH 18.8MM THK:0.8MM TP301,102,101,104,103,105,106,TPB+,304	PC	0	9.00000
746-063101-00	TEST PIN: TOTAL LENGTH 18.8MM THK:0.8MM TP303,302,305	PC	0	3.00000
750-063101-00	SOLDERING LUG FOR IC401,Q402,Q904	PC	0	3.00000
750-063102-01	35MM SOLDERING LUG FOR AC LINE CORD, SPK. CONNECTOR		0	4.00000
760-000002-00	DEGAUSSING COIL LUG FOR DEGAUSSING COIL		0	4.00000
766-000001-00	FILIF MODULE		0	2.00000
781-882001-00	ALUMINIUM HEAT SINK (B) FOR Q402		0	1.00000
781-882101-01	ALUMINIUM HEAT SINK (A) FOR Q904		0	1.00000
781-882001-00	ALUMINIUM HEAT SINK (C) FOR IC401		0	1.00000
783-881305-00	SHIELD CAN COVER		0	1.00000
783-881313-00	SHIELD CAN		0	1.00000

** THIS SPARE LIST IS MADE FOR TECHNICAL / MAINTENANCE REFERENCE ONLY **

Print Date : 13/04/93

PRODUCT CODE : 882074-500001-GT

Page Number : 15

DESCRIPTION : GT-8820/CT-M483 TEAC PAL/BG W/21 PIN M.BLACK 240V SAA TYPE

Component Part	Description / Location	Unit	Subs	Quantity Required
929-881301-00	LED HOLDER BKT FOR LED 601		0	1.00000

Ass:

** THIS SPARE LIST IS MADE FOR TECHNICAL / MAINTENANCE REFERENCE ONLY **

Print Date : 13/04/93 PRODUCT CODE : 882074-500001-GT
 Page Number : 18 DESCRIPTION : GT-8820/GT-M483 TEAC PAL/BG W/21 PIN M.BLACK 240V SAA TYPE

Component Part	Description / Location	Unit	Subs	Quantity Required
*** ASSEMBLY : 158-882074-50-01 NON-COMMON PART FOR CHASSIS ASS'Y (BG)				
003-131500-02	TUNER (AUSTRALIA UVE33-VN03) MITSUMI TUNER		0	1.00000
107-105500-66	SOUND TRAP CERAMIC FILTER 5.5MHZ TPS-5.5MB MURATA CF105		0	1.00000
107-305500-16	SOUND BYPASS CERAMIC FILTER 5.5MHZ 9FE-5.5MB MURATA CF103		0	1.00000
107-738916-00	SAW FILTER TSP-5316 SANYO SA101	PC	0	1.00000
113-153103-17	CARBON FILM RESISTOR 15K OHM 1/4W +-5% R339	PC	0	1.00000
113-223105-17	CARBON FILM RESISTOR 22K OHM 1/4W +-5% R014	PC	0	1.00000
123-102350-90	CERAMIC CAP. 0.001 MFD 50V +-10% (B TYPE) C103	PC	0	1.00000
123-222466-41	CERAMIC CAP. 0.0022 MFD 400V +-20% EQK-DNS222MEX MATSUSHITA C912	PC	0	1.00000
171-550100-00	AC LINE CORD(END-CUT)SAA APP'D		0	1.00000
172-726000-99	BARE WIRE 54MM W094	M	0	.05400

ASS

** THIS SPARE LIST IS MADE FOR TECHNICAL / MAINTENANCE REFERENCE ONLY **

Print Date : 13/04/93 PRODUCT CODE : 882074-500001-GT
 Page Number : 17 DESCRIPTION : GT-8820/GT-M483 TEAC PAL/BG W/21 PIN M.BLACK 240V SAA TYPE

Component Part	Description / Location	Unit	Subs	Quantity	Requirer
*** ASSEMBLY : 159-882074-50-00 COMMON PART FOR CASING ASS'Y (BG)					
008-550201-05	DEGAUSSING COIL 60T 44MM X 34 MM (W/FIVE LAYERS OF TAPE) L902		0	1.0000	
166-183040-40	SPEAKER 4" 3W 8 OHM		0	2.0000	
179-105000-00	UL PVC TUBE 5MM DIA L=950MM,400MM FOR SPK.'L',550MM FOR SPK.'R'	M.	0	.9500	
191-200044-09	2 PIN SOCKET ASSM'Y L=440MM CN202 '2' TO SPK. L'-', '1' TO SPK L'+'		0	1.0000	
191-200056-09	2 PIN SOCKET ASSM'Y L=560MM CN201 '2' TO SPK. R'-', '1' TO SPK. R'+'		0	1.0000	
509-305010-00	MACHINE SCREW 3 X 10 KM BLACK JACK PLATE MTG.		0	2.0000	
514-400425-10	SELF-TAPPING SCREW 4 X 25 B/T (HARDEN) 12 FOR CRT MTG, 3 FOR CAB MTG	PC	0	15.0000	
514-400435-10	SELF-TAPPING SCREW 4 X 35 B/T (HARDEN) FOR CAB MTG	PC	0	6.0000	
515-303310-10	SELF-TAPPING SCREW 3 X 10 W/P/A (HARDEN) FOR SPEAKER MTG.		0	4.0000	
515-303410-10	SELF-TAPPING SCREW 3 X 10 W/B/T (HARDEN) 12 FOR MAIN PCB , 2 FOR PUSH BUTTON		0	14.0000	
515-306320-10	SELF-TAPPING SCREW 3 X 20 W/P/A (HARDEN) FOR SPK. MTG.		0	4.0000	
515-306412-10	SELF-TAPPING SCREW 3 X 12 W/B/T (HARDEN) 1 FOR AC LINE CORD MTG.		0	1.0000	
622-881302-00	FELT ONE SIDE W/TAPE		0	7.0000	
622-882001-00	FELT PAPER ONE SIDE W/TAPE 10 X 2 X 0.3MM BACK CAB		0	4.0000	
630-173016-00	FIBRE WASHER OD=17 ID=3 T=1.8 AC LINE CORD MTG		0	1.0000	
728-882001-00	CRT MTG. BRACKET W/NUT CRT MTG.		0	4.0000	
737-143010-00	METAL WASHER OD=14 ID=3 T=1 FOR SPK. MTG		0	8.0000	
744-881301-00	SPRING FOR C.R.T. MOUNTING 5.2 X 42 X 0.6MM		0	1.0000	
777-881301-00	SPRING IN 10 X L12 FOR POWER KNOB		0	1.0000	
834-230801-00	RUBBER WASHER OD=23 , ID=8 , T=1 FOR CRT MTG		0	4.0000	
834-230805-00	RUBBER WASHER OD=23 ID=8 T=0.5 CRT MTG (LOWER)		0	2.0000	
902-882001-01	BACK CABINET		0	1.0000	
920-882002-01	MTG. BRACKET		0	1.0000	
948-882001-01	DEGAUSSING COIL MTG. CLIP		0	4.0000	
948-882002-00	DOOR LOCKER FRONT CAB.		0	1.0000	
954-882001-01	SPEAKER BOX HOLDER FOR FRONT CAB		0	2.0000	
954-882001-00	HIGH VOLTAGE SPACER FOR CRT		0	1.0000	

** THIS SPARE LIST IS MADE FOR TECHNICAL / MAINTENANCE REFERENCE ONLY **

Print Date : 13/04/93

PRODUCT CODE : 882074-500001-GT

Page Number : 18

DESCRIPTION : GT-8820/CT-M483 TEAC PAL/SG W/21 PIN M.BLACK 240V SAA TYPE

Component Part	Description / Location	Unit	Sube	Quantity Required
977-882001-01	PUSH BUTTON - BLACK MOULDED		0	1.000000
980-882006-01	JACK PLATE W/BRASS INSERT (521-882001-00 2PCS./SET)		0	1.000000

ASSB

** THIS SPARE LIST IS MADE FOR TECHNICAL / MAINTENANCE REFERENCE ONLY **

Print Date : 13/04/83 PRODUCT CODE : 882074-800001-0T
 Page Number : 19 DESCRIPTION : 0T-8820/0T-M489 TEAC PAL/8Q W/21 PIN M.BLACK 240V SAA TYPE

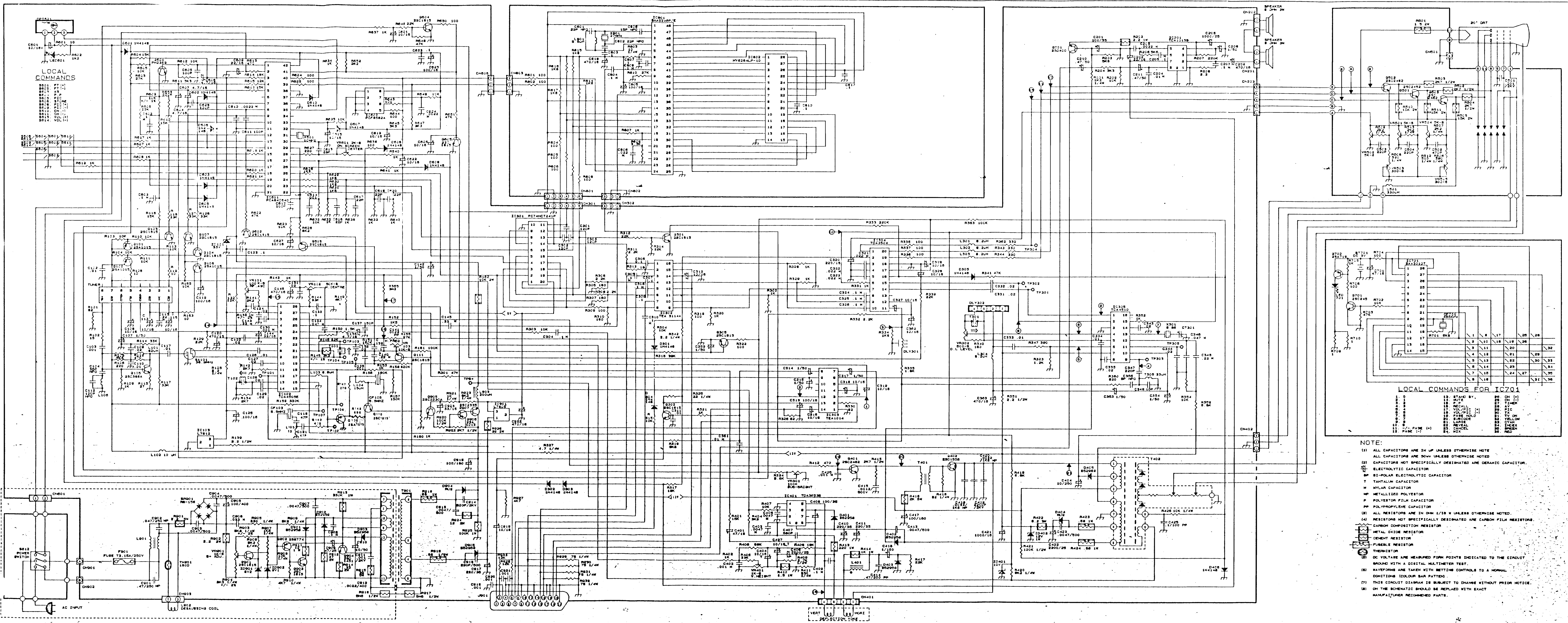
Component Part	Description / Location	Unit	Subs	Quantity Required
*** ASSEMBLY : 158-882074-50-02 NON-COMMON PART FOR CASING ASS'Y (M.BLK)				
002-120027-42	20" CRT (S/H) DY # ODY-M2038 (ORION)	PC	0	1.00000
186-227503-14	BATTERY 3A PACKED IN GIFT BOX		0	2.00000
884 800006 01	DRACKET PLATE-BLK. W/L.GREY SS.ENG STD (12 HOLES) W/O V.HOLD		0	1.00000
884-882020-02	JACK COVER-TEAC DESIGN WHI SS.W/21 PIN SOCKET HOLE		0	1.00000
887-882001-2N	RATING PLATE - TEAC DESIGN 240V		0	1.00000
800-882002-01	FRONT CABINET - MATT BLACK 9PY		0	1.00000
905-882001-01	SPEAKER BOX - BLACK MOULDED W/ BLACK SPRAY		0	2.00000
917-882001-07	REMOTE LENS - TEAC DESIGN		0	1.00000
919-882003-81	PRESET DOOR - TEAC DESIGN		0	1.00000
881-882002-01	POWER KNOB - BLACK MOULDED		0	1.00000

ASB

** THIS SPARE LIST IS MADE FOR TECHNICAL / MAINTENANCE REFERENCE ONLY **

Print Date : 13/04/93 PRODUCT CODE : 882074-500001-GT
 Page Number : 20 DESCRIPTION : GT-8820/CT-M483 TEAC PAL/BG W/21 PIN M.BLACK 240V SAA TYPE

Component Part	Description / Location	Unit	Subs	Quantity Required
*** ASSEMBLY : 163-882074-50-02 NON-COMMON PART FOR PACKING ASS'Y (BG)				
610-882003-98	GIFT BOX - TEAC DESIGN	0		1.00000
663-230121-93	SERIAL NO. LABEL - OC:GT-121/93 1 PC STICK ON CTN, 1 PC STICK ON RATING PLATE	0		2.00000
663-230141-93	SERIAL NO. LABEL - OC:GT-141/93 1 PC STICK ON CTN, 1 PC STICK ON RATING PLATE	0		.00000
670-882000-67	INSTRUCTION MANUAL - TEAC DESIGN (40 PRG.)	0		1.00000
678-881301-04	SYSTEM LABEL - PAL BG	0		1.00000
678-882000-11	SERVICE CONTACT STICKER - TEAC DESIGN ATTACH TO MIDDLE OF JACK PLATE COVER	0		1.00000
678-882000-17	SCREEN STICKER ATTACH TO TOP LEFT OF SCREEN	0		1.00000
682-230121-93	DATE CODE LABEL - OC:GT-121/93	0		1.00000
682-230141-93	DATE CODE LABEL - OC:GT-141/93	0		.00000
690-882039-01	WARRANTY CARD - TEAC DESIGN	0		1.00000
693-882002-09	EAN CODE LABEL - 9313060004347	0		1.00000
800-882005-00	POLYFOAM - TOP LEFT	0		1.00000
800-882006-00	POLYFOAM - TOP RIGHT	0		1.00000
800-882007-00	POLYFOAM - BOTTOM LEFT	0		1.00000
800-882008-00	POLYFOAM - BOTTOM RIGHT	0		1.00000
810-040904-13	POLYBAG 4" X 9" X 0.04MM W/ RE-CYCLING MARK FOR HANDSET	0		1.00000
810-051104-13	POLYBAG 5" X 11" X 0.04 MM W/ RE-CYCLING MARK FOR AC LINE CORD	0		1.00000
810-091504-13	POLYBAG 9" X 15" X 0.04MM W/ RE-CYCLING MARK FOR INSTRUCTION MANUAL	0		1.00000
810-373704-14	POLYBAG 37"X37"X0.04MM W/PUNCHHOLE & RE-CYCLING MARK P/O MAT FOR UNIT	0		1.00000
				ASSE
				TOTAL



LOCAL COMMANDS

0	1	2	3	4	5	6	7	8	9	10	11	12	13	14	15	16	17	18	19	20	21	22	23	24	25	26	27	28	29	30	31	32	33	34	35	36	37	38	39	40	41	42	43	44	45	46	47	48	49	50	51	52	53	54	55	56	57	58	59	60	61	62	63	64	65	66	67	68	69	70	71	72	73	74	75	76	77	78	79	80	81	82	83	84	85	86	87	88	89	90	91	92	93	94	95	96	97	98	99
---	---	---	---	---	---	---	---	---	---	----	----	----	----	----	----	----	----	----	----	----	----	----	----	----	----	----	----	----	----	----	----	----	----	----	----	----	----	----	----	----	----	----	----	----	----	----	----	----	----	----	----	----	----	----	----	----	----	----	----	----	----	----	----	----	----	----	----	----	----	----	----	----	----	----	----	----	----	----	----	----	----	----	----	----	----	----	----	----	----	----	----	----	----	----	----	----	----	----	----

LOCAL COMMANDS FOR IC701

1	2	3	4	5	6	7	8	9	10	11	12	13	14	15	16	17	18	19	20	21	22	23	24	25	26	27	28	29	30	31	32	33	34	35	36	37	38	39	40	41	42	43	44	45	46	47	48	49	50	51	52	53	54	55	56	57	58	59	60	61	62	63	64	65	66	67	68	69	70	71	72	73	74	75	76	77	78	79	80	81	82	83	84	85	86	87	88	89	90	91	92	93	94	95	96	97	98	99
---	---	---	---	---	---	---	---	---	----	----	----	----	----	----	----	----	----	----	----	----	----	----	----	----	----	----	----	----	----	----	----	----	----	----	----	----	----	----	----	----	----	----	----	----	----	----	----	----	----	----	----	----	----	----	----	----	----	----	----	----	----	----	----	----	----	----	----	----	----	----	----	----	----	----	----	----	----	----	----	----	----	----	----	----	----	----	----	----	----	----	----	----	----	----	----	----	----	----

- NOTE:**
- ALL CAPACITORS ARE IN μ F UNLESS OTHERWISE NOTED
 - ALL RESISTORS ARE IN Ω UNLESS OTHERWISE NOTED
 - CAPACITORS NOT SPECIFICALLY DESIGNATED ARE CERAMIC CAPACITORS
 - ELECTROLYTIC CAPACITOR
 - BI-POLAR ELECTROLYTIC CAPACITOR
 - TANTALUM CAPACITOR
 - MILAR CAPACITOR
 - METALLIZED POLYESTER
 - POLYESTER FILM CAPACITOR
 - POLYPROPYLENE CAPACITOR
 - ALL RESISTORS ARE IN Ω UNLESS OTHERWISE NOTED
 - RESISTORS NOT SPECIFICALLY DESIGNATED ARE CARBON FILM RESISTORS
 - CARBON COMPOSITION RESISTOR
 - METAL OXIDE RESISTOR
 - CEMENT RESISTOR
 - FILM RESISTOR
 - DC VOLTAGE ARE MEASURED FROM POINTS INDICATED TO THE CIRCUIT GROUND WITH A DIGITAL MULTIMETER TEST.
 - WAVEFORMS ARE TAKEN WITH BETTING CONTROLS TO A NORMAL CONDITION (COLOR BAR PATTERN)
 - THIS CIRCUIT DIAGRAM IS SUBJECT TO CHANGE WITHOUT PRIOR NOTICE.
 - ON THE SCHEMATIC SHOULD BE REPLACED WITH EXACT MANUFACTURER RECOMMENDED PARTS.

